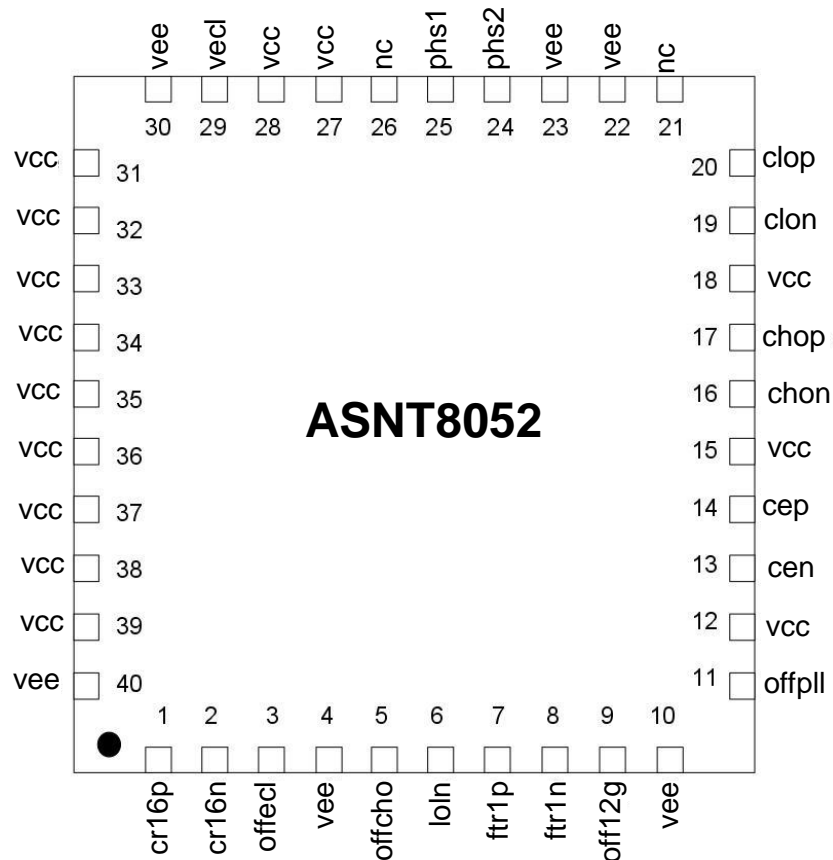




ASNT8052-PQB

11.0-13.3GHz and 13.0-14.4GHz Programmable PLL with integrated VCOs

- Programmable clock multiplier (CMU) with two selectable frequency ranges of internal PLL
- Optional operational mode as a clock divider with PLL disabled
- Closed-Loop SSB phase noise at 10MHz offset better than 98dB/Hz
- On-chip Loss-of-Lock control circuit
- External RC loop filter
- LVDS, CML, or PECL input reference clock interface
- Full-rate CML clock input interface
- Full-rate or half-rate CML clock output interface
- LVDS divided clock output with optional 90°-step phase adjustment
- Single +3.3V power supply
- Low power consumption of 585mW
- Fabricated in SiGe for high performance, yield, and reliability
- Standard 40-pin QFN package





DESCRIPTION

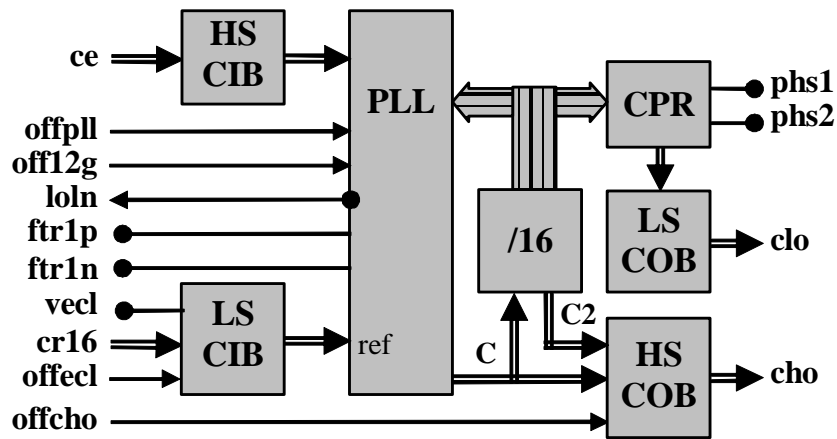


Fig. 1. Functional Block Diagram

ASNT8052-PQB is a clock multiplication unit (CMU) with a dual-range phase-locked loop (PLL) incorporating high-speed voltage-controlled oscillators (VCOs). The part features several control functions shown in Table 1. All functions are further described in the specified sections.

Table 1. PLL Control Functions

Control signal	Logic State			Described in.
	“0”	Not connected (default)	“1”	
off12g	Lower VCO range	Same as 0 state	Higher VCO range	PLL
offcho	Full-rate HS output clock	Half-rate HS output clock	HS COB disabled	HS COB
phs1/phs2	See Table 4			CPR
offpll	PLL enabled	Same as 0 state	PLL disabled	PLL
offecl	CML/PECL input interface	Same as 1 state	LVDS input interface	LS COB

One of the two frequency ranges can be selected by the control signal **off12g**. In the main operational mode, the IC shown in Fig. 1 accepts a low-speed reference clock **cr16p/cr16n** with the frequency $f/16$ and converts it into a high-speed output clock **cho** with the selectable frequency f or $f/2$ and a low-speed output clock **clo** with the frequency $f/16$. The frequency of the high-speed clock is selected through the external 3-state control signal **offcho** that can also disable the clock output buffer.

One of four 90° shifted phases of the low-speed output clock with the frequency $f/16$ can be selected by control signals **phs1** and **phs2**.

When operating in the closed-loop mode, the PLL requires an external loop filter connected to pins **ftr1p** and **ftr1n**. The output signal **loln** indicates the locked or unlocked state of the PLL. The PLL also supports an open-loop mode of operation with its selected VCO controlled externally by voltages applied to the filter pins **ftr1p** and **ftr1n**. The chip can operate as a divider by 16 of the input high-speed clock **cep/cen** if the PLL is disabled by the control signal **offpll**.

The IC uses a single +3.3V power supply and is characterized for operation from -25°C to 125°C of junction temperature.



HS CIB

The High-Speed Clock Input Buffer (HS CIB) can process an external clock signal **cep/cen** with frequencies from DC to the specified maximum value. The clock inputs support the CML logic interface with on chip *50Ohm* termination to **vcc** and may be used differentially, AC/DC coupled, single-ended, or in any combination. In the DC-coupling mode, the input signal's common mode voltage should comply with the specifications shown in ELECTRICAL CHARACTERISTICS. In the AC-coupling mode, the input termination provides the required common mode voltage automatically. The differential DC signaling mode is recommended for optimal performance.

LS CIB

The Low-Speed Clock Input Buffer (LS CIB) is a proprietary universal input buffer (UIB) that can run at a high frequency. The UIB's input termination impedance is controlled by the CMOS signal **offec1** and is set to *100Ohm* differential if **offec1**="1" (true LVDS mode, default state) or *50Ohm* single-ended to **vecl** if **offec1**="0" (CML mode). The value of **vecl** should be equal to **vcc** in CML mode. It can be also set to **vcc-2V** in order to support the PECL interface. In this case, the corresponding termination voltage source should be able to both sink and source up to *20mA* of current. Possible input clock application schemes are detailed in Table 2, where **Vcm** is a common-mode voltage of the clock signal.

Table 2. LS Input Clock Application Schemes

Interface type	Clock type	cep signal			cen signal		
		Swing, mV	Connection	Vcm, V	Swing, mV	Connection	Vcm, V
LVDS (offec1 = 1)	Diff.	70-to-500	DC	1.2±1.0	70-to-500	DC	1.2±1.0
	SE	140-to-900	AC	-	Threshold	DC	vcc -to- vcc
		Threshold	DC	vcc -to- vcc	140-to-900	AC	-
CML or PECL (offec1 = 0)	Diff.	70-to-500	DC	vcc -Swing/2	70-to-500	DC	vcc-Swing/2
			AC	-		AC	-
	SE	140-to-900	AC	-	-	Not connected	-
		140-to-900	AC	-	Threshold	DC	vcc
		-	Not connected	-	140-to-900	AC	-
		Threshold	DC	vcc	140-to-900	AC	-

As can be seen, the UIB is designed to accept differential signals with DC common mode voltages between the negative (**vee**) and the positive (**vcc**) supply rails, as well as AC common mode noise with a frequency up to *5MHz* and voltage levels from **vee** to **vee+2.4V**. It can also receive single-ended signals with a threshold voltage between **vee** and **vcc** applied to the unused pin of the differential input interface.

PLL

The PLL contains a phase frequency detector, a charge pump, an on-chip integrator with an additional off-chip filter connected between pins **fr1p** and **fr1n**, and two selectable LC-tank VCOs with different central frequencies. The recommended parameters of the external filter schematic components shown in Fig. 2 are for reference only and can be modified based on specific requirements.

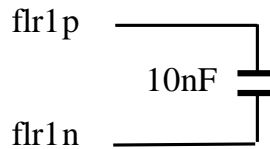


Fig. 2. External Filter Schematic

The PLL is activated by the external control signal `offpll="0"` (default state). In case of `offpll="1"`, the PLL is disabled and the chip operates as a divider by 16.

The main function of the PLL is to synthesize the full-rate clock C by aligning the phase and frequency of the divided clock from the internal divider to the externally applied reference clock `cr16`. Selection of the required VCO is defined by the CMOS control signal `off12g` (lower-speed VCO if `off12g="1"`; higher-speed VCO if `off12g="0"`, default state). The state of the PLL is indicated by the output CMOS loss-of-lock alarm signal `loln` (`loln="0"` if PLL is not locked, `loln="1"` if phases and frequencies of internal and reference clocks are matching).

If required, the selected VCO can be externally controlled by voltages applied to pins `fr1p` and `fr1n` as shown in Table 3. In this case, the PLL is operating in the open-loop mode. The unused VCO is completely disabled in order to save power.

Table 3. VCO External Control Modes

fr1p signal, V	fr1n signal, V	VCO frequency
Vccm+0.8=3.1	Vccm=2.3	min
Vccm-0.8=1.5	Vccm=2.3	max
Vccm=2.3	Vccm+0.8=3.1	max
Vccm=2.3	Vccm-0.8=1.5	min

Divider-by-16

The Divider-by-16 (/16) includes 4 divide-by-2 circuits connected in series. The clocks divided by 8 and 16 are supplied to the PLL's phase detector and to the clock processor CPR.

CPR

The clock processor (CPR) receives divided by 16 clocks from the divider and supplies the processed signal to the low-speed clock output buffer LS COB. The phase of the delivered divided-by-16 clock C16 can be altered utilizing the CMOS control pins `phs1` and `phs2` as shown in Table 4.

Table 4. Output Clock Phase Selection

phs1	phs2	C16 phase
vee (default)	vee (default)	0°
vee	vcc	90°
vcc	vee	180°
vcc	vcc	270°



HS COB

The High Speed Clock Output Buffer (HS COB) receives the full-rate (C) and half-rate (C2) clocks from the PLL and converts the selected one into CML output signal cho. The state of the buffer is controlled by the external CMOS control signal offcho (disabled if offcho="1"; C2 output if offcho is not connected, default state; C output if offcho="0").

LS COB

The LVDS Low-Speed Clock Output Buffer (LS COB) converts the signal from the CPR into the LVDS output signal clo. The proprietary low-power LVDS output buffer utilizes a special architecture that ensures operation at frequencies up to 2.0GHz with a low power consumption level of 30mW. The buffer satisfies all requirements of the IEEE Std. 1596.3-1996 and ANSI/TIA/EIA-644-1995. For the correct operation, it requires external differential 100Ohm DC termination at the receiver side. These pins should **NEVER** be **CONNECTED** to devices with 50Ohm termination to ground **WITHOUT DC BLOCKS!**

ABSOLUTE MAXIMUM RATINGS

Caution: Exceeding the absolute maximum ratings shown in Table 5 may cause damage to this product and/or lead to reduced reliability. Functional performance is specified over the recommended operating conditions for power supply and temperature only. AC and DC device characteristics at or beyond the absolute maximum ratings are not assumed or implied. All min and max voltage limits are referenced to ground (assumed vee).

Table 5. Absolute Maximum Ratings

Parameter	Min	Max	Units
Supply Voltage (VCC)		3.6	V
Power Consumption		0.65	W
RF Input Voltage Swing (SE)		1.0	V
Case Temperature		+90	°C
Storage Temperature	-40	+100	°C
Operational Humidity	10	98	%
Storage Humidity	10	98	%



TERMINAL FUNCTIONS

TERMINAL			DESCRIPTION
Name	No.	Type	
High-Speed I/Os			
cep	14	Input	CML differential external clock inputs with internal SE 50 Ω termination to VCC
cen	13		
chop	17	Output	CML differential clock outputs with internal SE 50 Ω termination to VCC. Require external SE 50 Ω termination to VCC
chon	16		
Low-Speed I/Os			
cr16p	1	Input	LVDS/CML clock inputs. See LS CIB for allowed application schemes
cr16n	2		
clop	20	Output	LVDS clock outputs. See LS COB for a detailed description
clon	19		
Controls			
offecl	3	Input	3.3V CMOS control signals
offcho	5		
off12g	9		
offpll	11		
phs2	24		
phs1	25		
ftr1p	7	Input	Pins for connecting the external loop filter. Can be also used for VCO external control in the open-loop mode
ftr1n	8		
loln	6	Output	3.3V CMOS control output
Supply and Termination Voltages			
Name	Description		Pin Number
vcc	Positive power supply. (+3.3V)		12, 15, 18, 27, 28, 29, 31, 32, 33, 34, 35, 36, 37, 38, 39
vee	External ground. (0V)		4, 10, 22, 23, 30, 40
nc	Not connected pins		21, 26



ELECTRICAL CHARACTERISTICS

PARAMETER	MIN	TYP	MAX	UNIT	COMMENTS
General Parameters					
vee		0.0		V	External ground
vcc	3.1	3.3	3.5	V	±6%
Ivcc	168		185	mA	
Power consumption		583		mW	
Junction temperature	-40	25	125	°C	
HS Input Clock (cep/cen)					
Frequency	DC		17	GHz	
Swing	230		800	mV	Differential or SE, p-p, at 17GHz
	50		800	mV	Differential or SE, p-p, at 4GHz
CM Voltage Level	vcc-0.8		vcc	V	Must match for both inputs
Duty Cycle	40%	50%	60%		
LS Input Clock (cr16p/cr16n)					
Frequency	DC		810	MHz	
Swing	140		900	mV	Differential or SE, p-p
CM Voltage Level	vee	1.6	vcc	V	Must match for both inputs
HS Output Clock (chop/chon)					
Frequency	DC		17	GHz	
Logic "1" level		vcc		V	
Logic "0" level		vcc-0.58		V	
Jitter		6		ps	Peak-to-peak at 12.5GHz
Duty Cycle		50%			
LS Output Clock (clop/clon)					
Frequency	DC		1060	MHz	
Interface		LVDS			Meets the IEEE Std.
CMOS control inputs and outputs (offel, offcho, off12g, offpll, phs1, phs2, loln)					
Logic "1" level	vcc-0.3			V	
Logic "0" level		vee+0.3		V	
VCOs					
Low frequency of VCO 1		11.0		GHz	Higher-speed VCO.
High frequency of VCO 1		13.3		GHz	Active if off12g = "0"
Low frequency of VCO 2		13.0		GHz	Lower-speed VCO.
High frequency of VCO 2		14.4		GHz	Active if off12g = "1"
External control common mode Vccm		2.3		V	In open-loop mode
External control voltage range	Vccm-0.8	Vccm+0.8		V	In open-loop mode

PACKAGE INFORMATION

The chip is packaged in a standard 40-pin QFN package shown Fig. 3. It is recommended that the center heat slug located on the back side of the package is soldered to the vee plain that is ground for the positive supply.

The part's identification label is ASNT8052-PQB. The first 8 characters of the name before the dash identify the bare die including general circuit family, fabrication technology, specific circuit type, and part version while the 3 characters after the dash represent the package's manufacturer, type, and pin out count.

This device complies with the Restriction of Hazardous Substances (RoHS) per EU 2002/95/EC for all six substances.

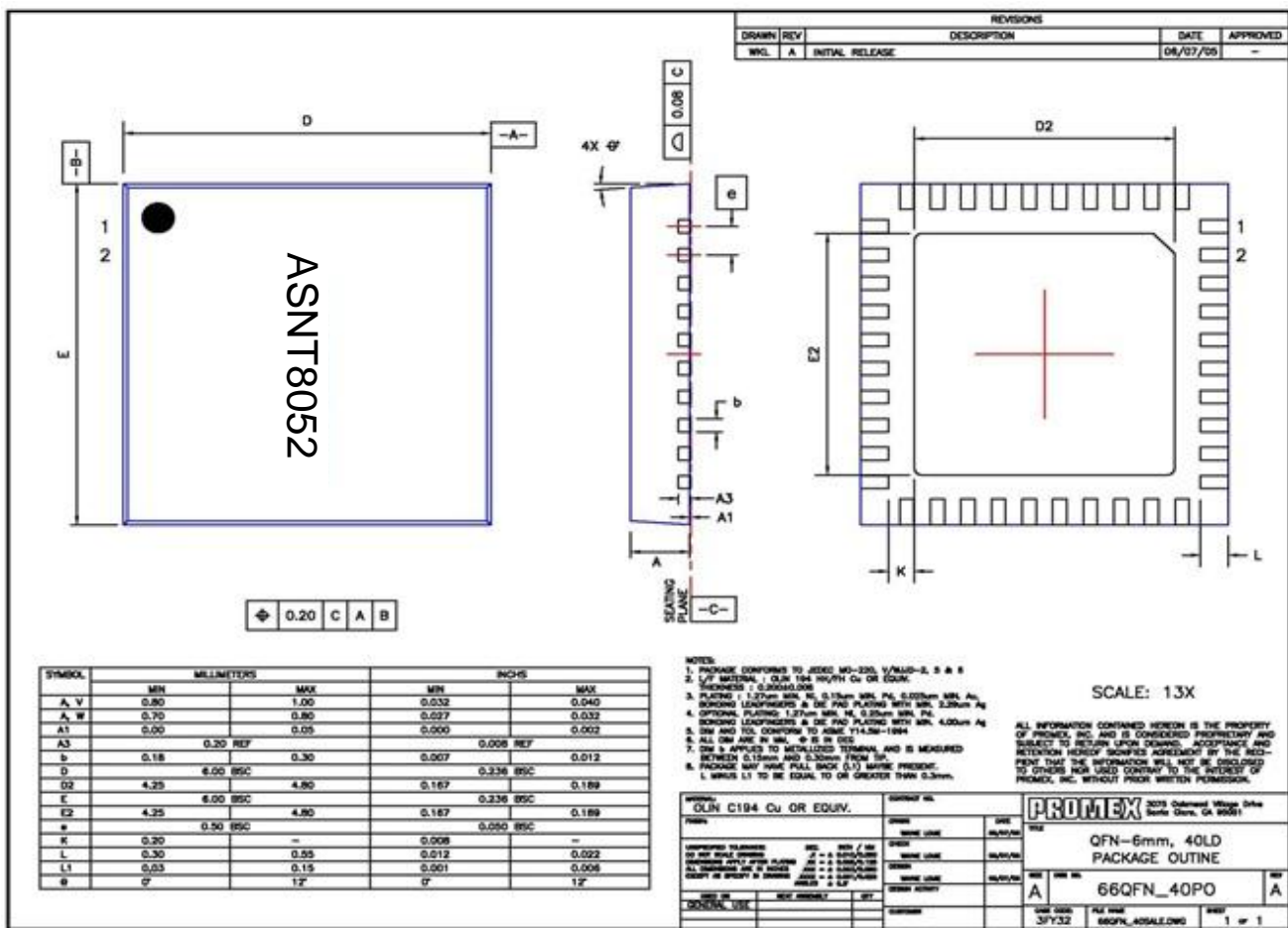


Fig. 3. Package Drawing



REVISION HISTORY

Revision	Date	Changes
1.2.1	03-2013	Revised title Corrected description Corrected electrical characteristics Updated format
1.1	05-2012	Corrected supply information
1.0	04-2012	First release