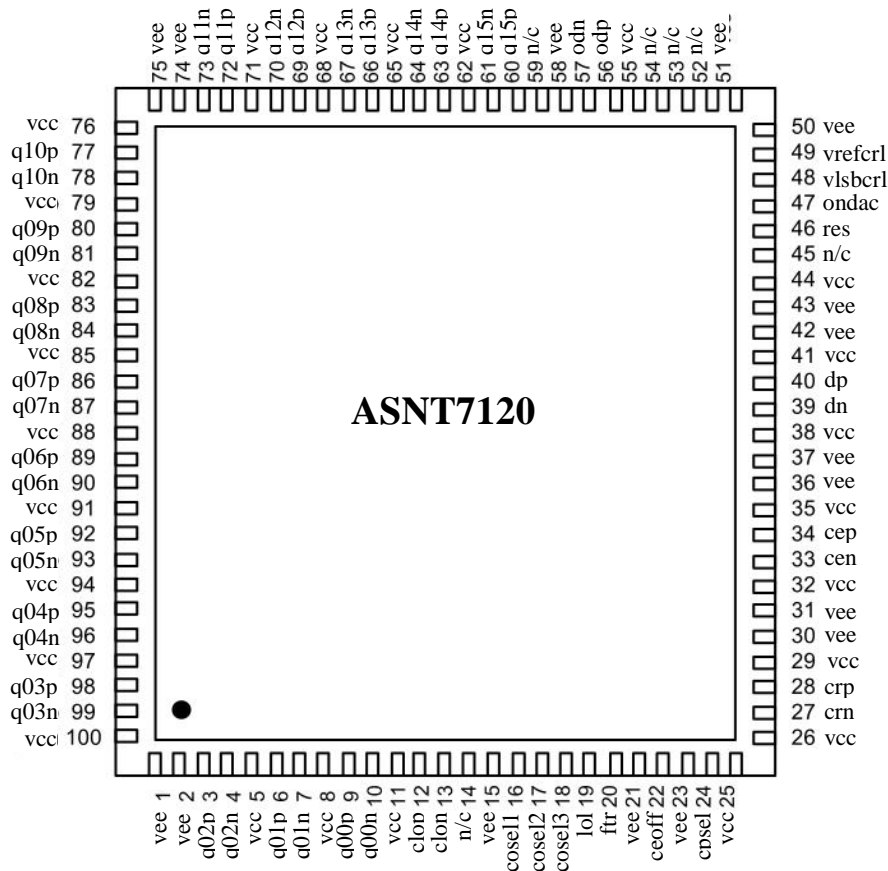




## ASNT7120-KMA 10GS/s, 4-bit Flash Analog-to-Digital Converter

- 18GHz analog input bandwidth
- Selectable clocking mode: external high-speed clock or internal PLL with external reference clock
- Broadband operation in external clocking mode: DC-11GS/s
- On-chip PLL with a central frequency of 10GHz
- Optional external preset of the internal clock divider
- Internal demultiplexer 4-to-16 for the output data rate reduction
- Differential CML input data and clock buffers
- Proprietary low-power LVDS output interface
- Selectable output clock frequency and polarity
- Selectable on-chip digital-to-analog converter for self-testing
- Single +3.5V power supply
- Power consumption: 2.4W
- Custom 100-pin metal-ceramic package



## DESCRIPTION

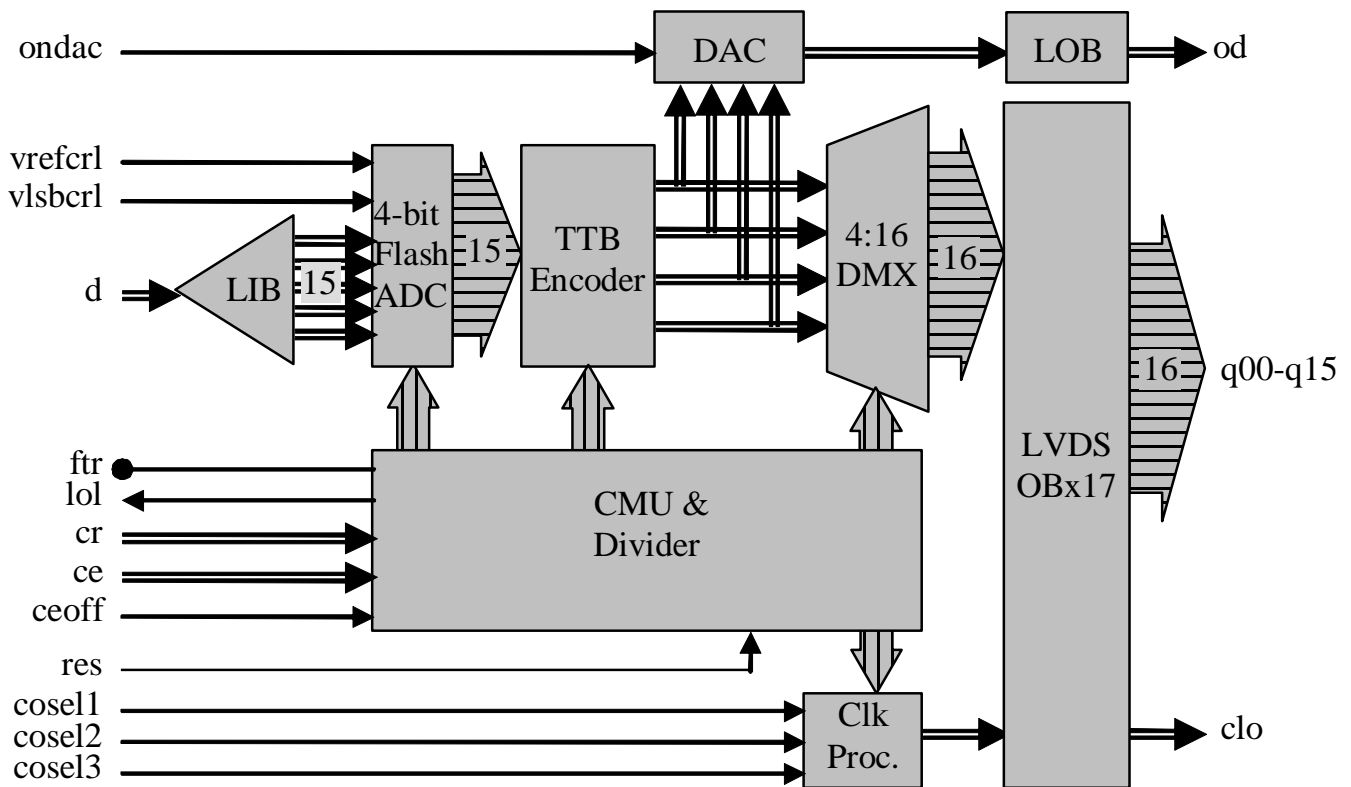


Fig. 1. Functional Block Diagram

The ASNT7120-KMA is a 4-bit flash analog to digital converter (ADC) featuring high sampling rate and wide analog front-end bandwidth. The ADC system shown in Fig. 1 includes a linear input buffer (LIB) with a tree architecture and a CML-type input interface with internal  $50\Omega$  single-ended terminations to VCC. The buffer delivers 15 matching copies of the input analog data signal *d* to the 4-bit flash ADC. The ADC creates 15 samples of the input data in thermometer code, which are then converted into 4-bit binary words with a data rate *f*. The encoded data is demultiplexed into 16-bit wide words with a data rate *f*/4 and sent to the output through 16 low-power LVDS buffers. An optional digital-to-analog converter (DAC) can be used for the control of the ADC's operation.

All operations are synchronized by the internal clock multiplication unit (CMU) based on a PLL (phase-locked loop) with an integrated divider. The block can operate in two different modes: clock multiplication (PLL is on) and clock division (PLL is off). In both modes, the divider generates internal clock signals divided by 2, 4, 8, and 16. The generated clocks divided by 4, 8, and 16 are sent to the LVDS output *clo* through a clock processor that selects the desired speed (*cosel1*, *cosel2* control signals) and polarity (*cosel3* control signal) of the output clock. In the second operational mode of CMU, the divider can be preset by the external signal *res* to ensure the correct phase relation between the output data and clock.

The part operates from a single +3.5V power supply. All external control signals are compatible with the 2.5V CMOS interface.

## Linear Input Buffer (LIB)

The system includes a linear input buffer (LIB) with a tree-type architecture that delivers 15 matching copies of the wide-band input differential analog data signal **dp/dn** to the 4-bit flash section. Symmetry is closely followed in both schematic and layout to ensure minimal aperture jitter.

## Clock Multiplication Unit (CMU) & Divider

The PLL-based CMU with external loop filter connected to the pin **ftf** as shown in Fig. 2 can operate in two different modes. In the first “clock multiplication” mode (**ceoff**=”1”), the CMU multiplies the external reference clock **crp/crn** with the speed of  $f/16$  by means of a PLL with a central frequency of  $f$  and a wide tuning range of the internal VCO (voltage-controlled oscillator). The generated clock is processed by the divider in order to generate internal clock signals divided by 2, 4, 8, and 16.

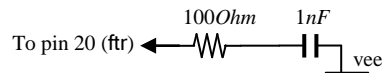


Fig. 2. Recommended External Loop Filter Schematic

In the second “clock division” mode (**ceoff**=”0”), the PLL is disabled and the internal clocks are generated from the external high-speed clock **cep/cen**. To ensure the correct bit order, the divider should be preset by the active-high CMOS control signal **res**. A special control signal **cpcsel** can be used to fine-tune the PLL loop gain. It is recommended to keep this pin not-connected (at default state).

## HS External Clock Input Buffer

The high-speed external clock input buffer can accept high-speed clock signals at its differential CML input port **cep/cen**. It can also accept a single-ended signal with a threshold voltage applied to the unused pin. HS CIB can handle a wide range of input signal amplitudes. The buffer utilizes on-chip single-ended termination of  $500\Omega$  to **vcc** for each input line.

## LS Reference Clock Input Buffer

The low-speed reference clock input buffer is a proprietary LVDS buffer with internal  $100\Omega$  differential termination between its inputs **crp/crn**. The buffer exceeds the requirements of standards IEEE Std. 1596.3-1996 and ANSI/TIA/EIA-644-1995. It is designed to accept differential signals with amplitudes above  $100mV$  peak-to-peak (p-p), a wide range of DC common mode voltages, and AC common mode noise with a frequency up to  $5MHz$  and voltage levels ranging from 0 to 2.4V.

## 4-bit Flash Analog to Digital Converter (ADC) with Encoder

This block samples the incoming analog data with the clock signal provided by the CMU in order to generate a 4-bit output digital signal (Bit 0 – Bit 3) with MSB corresponding to Bit 3. The threshold voltages ( $V_{th}$ ) of the ADS can be adjusted through analog signals **vrefcrl** and **vlsbcrl** as shown in Table 1.

Table 1. Threshold Adjustment Options

Control signal		Adjusted value	
Name	Range	Name	Range
<b>vrefcrl</b>	<b>vcc-1.0V -&gt; vcc</b>	$V_{th 15}$	<b>vcc -0.5V -&gt; vcc -0.15V</b>
<b>vlsbcrl</b>	<b>vcc -0.6V -&gt; vcc -0.2V</b>	$V_{th (X+1)} - V_{th X}$	<b>550uV -&gt; 55mV</b>



As can be seen, *vrefcrl* shifts the DC levels of all the threshold voltages simultaneously by the same amount while *vlbscrl* alters the voltage range of the least significant bit (LSB).

**If no external voltages are applied to *vrefcrl* and *vlbscrl*, it is recommended that both pins are AC-terminated by 50Ohm to vee through a DC block!**

## Demultiplexer (4:16 DMX)

This block deserializes the 4-bit words from the ADC into 16-bit output words as shown in Table 2.

Table 2. Demultiplexer Bit Order

Serialized input words	First				Second				Third				Fourth			
ADC bits (3 is MSB)	0	1	2	3	0	1	2	3	0	1	2	3	0	1	2	3
DMX output bits	00	01	02	03	04	05	06	07	08	09	10	11	12	13	14	15

## Clock Processor (Clk Proc)

To increase the adaptability of the designed ADC, a clock processor that provides a low-speed output clock signal with the options specified in Table 3, is included.

Table 3. Output Clock Options

External control signals			Output clock signal	
cosel1	cosel2	cosel3	Speed	Inversion
0	0	0	c4	Yes
0	0	1	c4	No
x	1	0	c8	Yes
x	1	1	c8	No
1	0	0	c16	Yes
1	0	1	c16	No

## Digital to Analog Converter (DAC)

A DAC block is included to perform a quick test of the ADC's functionality. When activated by the external control signal (*ondac*='1'), it converts the digital data into a step-wise copy of the input signal that is sent to the output *odp/odn* through a linear differential output buffer. The circuit is not consuming any power when disabled (*ondac*='0').

## LVDS Output Buffers

The 16-bit differential digital data words *q00p/q00n* to *q15p/q15n* are delivered to the output through an array of proprietary low power LVDS buffers. The low speed differential clock *clp/cln* also utilizes a similar LVDS output buffer. The buffers satisfy all the requirements of the IEEE Std. 1596.3-1996 and ANSI/TIA/EIA-644-1995.



## TERMINAL FUNCTIONS

Pin #	Pin name	Pin type	Pin #	Pin name	Pin type	Pin #	Pin name	Pin type
1	vee	GND	35	vcc	3.5V	69	q12p	LVDS outputs
2	vee	GND	36	vee	GND	70	q12n	
3	q02p	LVDS outputs	37	vee	GND	71	vcc	3.5V
4	q02n		38	vcc	3.5V	72	q11p	LVDS outputs
5	vcc	3.5V	39	dn	HS CML inputs	73	q11n	
6	q01p	LVDS outputs	40	dp		74	vee	
7	q01n		41	vcc	3.5V	75	vee	GND
8	vcc	3.5V	42	vee	GND	76	vcc	3.5V
9	q00p	LVDS outputs	43	vee	GND	77	q10p	LVDS outputs
10	q00n		44	vcc	3.5V	78	q10n	
11	vcc	3.5V	45	n/c		79	vcc	3.5V
12	cl0p	LVDS outputs	46	res	CMOS input	80	q09p	LVDS outputs
13	cl0n		47	ondac	CMOS input	81	q09n	
14	n/c		48	vlsbcrl	Control voltages	82	vcc	3.5V
15	vee	GND	49	vrefcrl		83	q08p	LVDS outputs
16	cosel1	CMOS input	50	vee	GND	84	q08n	
17	cosel2	CMOS input	51	vee	GND	85	vcc	3.5V
18	cosel3	CMOS input	52	n/c		86	q07p	LVDS outputs
19	lol	Control output	53	n/c		87	q07n	
20	ftl	Filter	54	n/c		88	vcc	3.5V
21	vee	GND	55	vcc	3.5V	89	q06p	LVDS outputs
22	ceoff	CMOS input	56	odp	LS CML outputs	90	q06n	
23	vee	GND	57	odn		91	vcc	3.5V
24	cpcsel	CMOS input	58	vee	GND	92	q05p	LVDS outputs
25	vcc	3.5V	59	n/c		93	q05n	
26	vcc	3.5V	60	q15p	LVDS outputs	94	vcc	3.5V
27	crn	LVDS inputs	61	q15n		95	q04p	LVDS outputs
28	crp		62	vcc	3.5V	96	q04n	
29	vcc	3.5V	63	q14p	LVDS outputs	97	vcc	3.5V
30	vee	GND	64	q14n		98	q03p	LVDS outputs
31	vee	GND	65	vcc	3.5V	99	q03n	
32	vcc	3.5V	66	q13p	LVDS outputs	100	vcc	3.5V
33	cen	HS CML inputs	67	q13n				
34	cep		68	vcc	3.5V			



## ELECTRICAL CHARACTERISTICS

PARAMETER	MIN	TYP	MAX	UNIT	COMMENTS
<b>General Parameters</b>					
vcc	3.4	3.5	3.6	V	±3%
vee		0.0		V	External ground
Ivcc		680		mA	
Power consumption		2.4		W	
Junction temperature	-25	50	125	°C	
<b>Analog Input Data (dp/dn)</b>					
Bandwidth	0.0		18	GHz	
CM Level	vcc-0.8		vcc	V	Must match for both inputs
Linearity range		±110		mV	Around CM level
Non-linearity		±3		%	of the linearity range
<b>HS Input Clock (cep/cen)</b>					
Frequency	DC		11	GHz	
Swing	0.2		0.8	V	Differential or SE, p-p
CM Voltage Level	vcc-0.8		vcc	V	Must match for both inputs
Duty Cycle	40	50	60	%	
<b>LS Reference Input Clock (crp/crn)</b>					
Frequency	560		688	MHz	1/16 of VCO frequency
CM Level	0.2		vcc	V	
Voltage Swing	100		800	mV	Differential
Duty Cycle	40	50	60	%	
<b>Output Data (q00p/q00n to q15p/q15n)</b>					
Data Rate	DC		2.75	Gbps	
CM Level		1.2		V	Nominal for LVDS interface
Amplitude range	250		350	mV	
Rise/Fall Times		TBD		ps	20%-80%
<b>LS Output Clock (clp/clon)</b>					
Frequency	f/4	f/8	f/16	GHz	Selectable. Here f is the PLL or HS input clock frequency
CM Level		1.2		V	Nominal for LVDS interface
Amplitude range	250		350	V	
Jitter		TBD		ps	
Duty Cycle		50		%	
<b>DAC Output (odp/odn)</b>					
Voltage Swing	250		350	mV	Single-ended, p-p
CM Level	vcc-(voltage swing)/2			V	
<b>Analog Control Signals (vrfcrl, vlsbcr)</b>					
Voltage range				V	see Table 1
<b>CMOS Control Signals (cosel1, cosel2, cosel3, ceoff, cpcsel, res, ondac)</b>					
Logic "1" level	vee+2.3		vee+2.5	V	
Logic "0" level			vee+0.2	V	



## ABSOLUTE MAXIMUM RATINGS

Caution: Exceeding the absolute maximum ratings presented in Table 4 may cause damage to this product and/or lead to reduced reliability. Functional performance is specified over the recommended operating conditions for power supply and temperature only. AC and DC device characteristics at or beyond the absolute maximum ratings are not assumed or implied. All min and max voltage limits are referenced to ground.

Table 4. Absolute Maximum Ratings

Parameter	Min	Max	Units
Supply Voltage (VCC)		4.0	V
Power Consumption		2.75	W
RF Input Voltage Swing (SE)		1.4	V
Case Temperature		+100	°C
Storage Temperature	-40	+100	°C
Operational Humidity	10	98	%
Storage Humidity	10	98	%

## PACKAGE INFORMATION

The chip die is housed in a custom 100-pin CQFP package shown in Fig. 3. Even though the package provides a center heat slug located on the back side of the package to be used for heat dissipation, ADSANTEC does **NOT** recommend for this section to be soldered to the board. If the customer wishes to solder it, it should be connected to the VCC plain that is power for the positive supply.

The part's identification label is ASNT7120-KMA. The first 8 characters of the name before the dash identify the bare die including general circuit family, fabrication technology, specific circuit type, and part version while the 3 characters after the dash represent the package's manufacturer, type, and pin out count.

This device complies with the Restriction of Hazardous Substances (RoHS) per EU 2002/95/EC for all six substances.

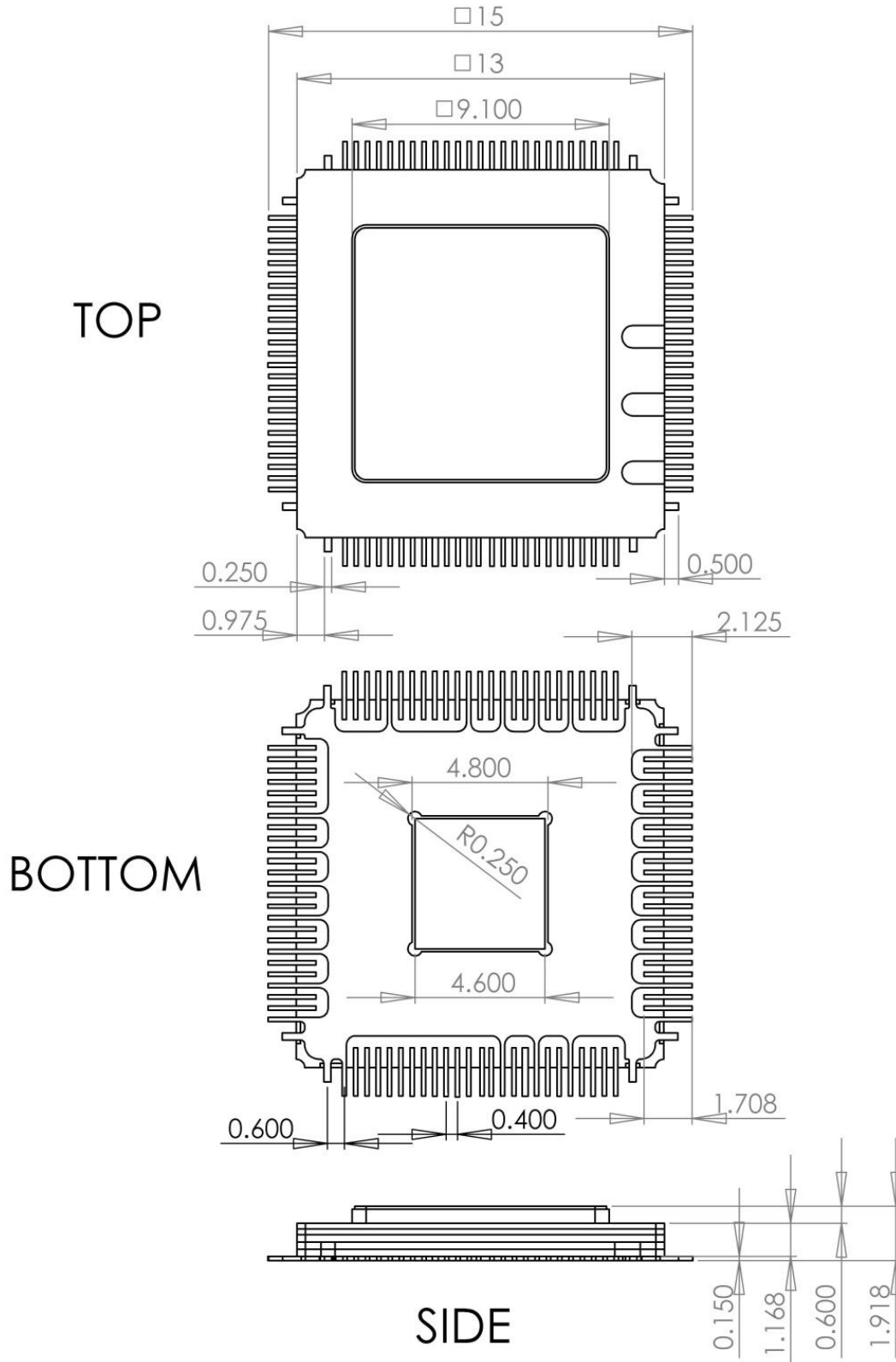


Fig. 3. Package Drawing





## REVISION HISTORY

Revision	Date	Changes
2.3.1	03-2013	Corrected description Revised package information
2.2.1	03-2013	Corrected description Added Bit Order table Corrected absolute maximum ratings Corrected electrical characteristics Revised package information Corrected format
2.1	03-2012	Corrected range of control voltages
2.0	03-2012	Added pin out drawing Added external loop filter schematic
1.1	06-2011	Added Absolute Maximums Rating table Added packaging information Added RoHS compliancy Added revision history table
1.0	01-2011	First release