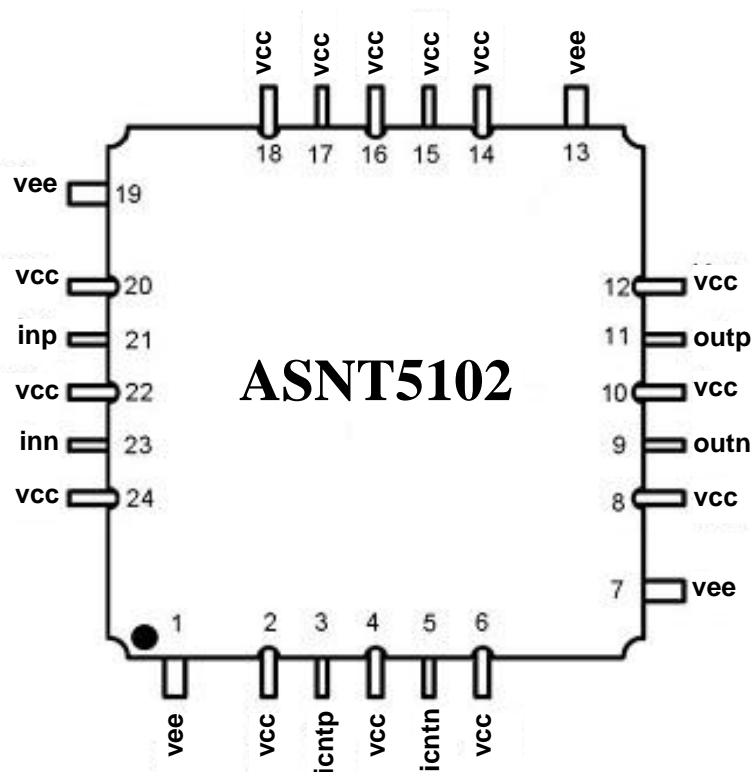




ASNT5102-KMC DC-32GHz Clock Phase Shifter

- DC to 32GHz tunable clock phase shifter
- Delay adjustment range of 105ps
- Exhibits low jitter and limited temperature variation over industrial temperature range
- 2.0GHz of bandwidth for the phase adjustment tuning port
- Ideal for high speed proof-of-concept prototyping
- Fully differential CML input interface
- Fully differential CML output interface with 600mV single-ended swing
- Power consumption: 875mW
- Single +3.3V or -3.3V power supply
- Fabricated in SiGe for high performance, yield, and reliability
- Custom CQFP 24-pin package



DESCRIPTION

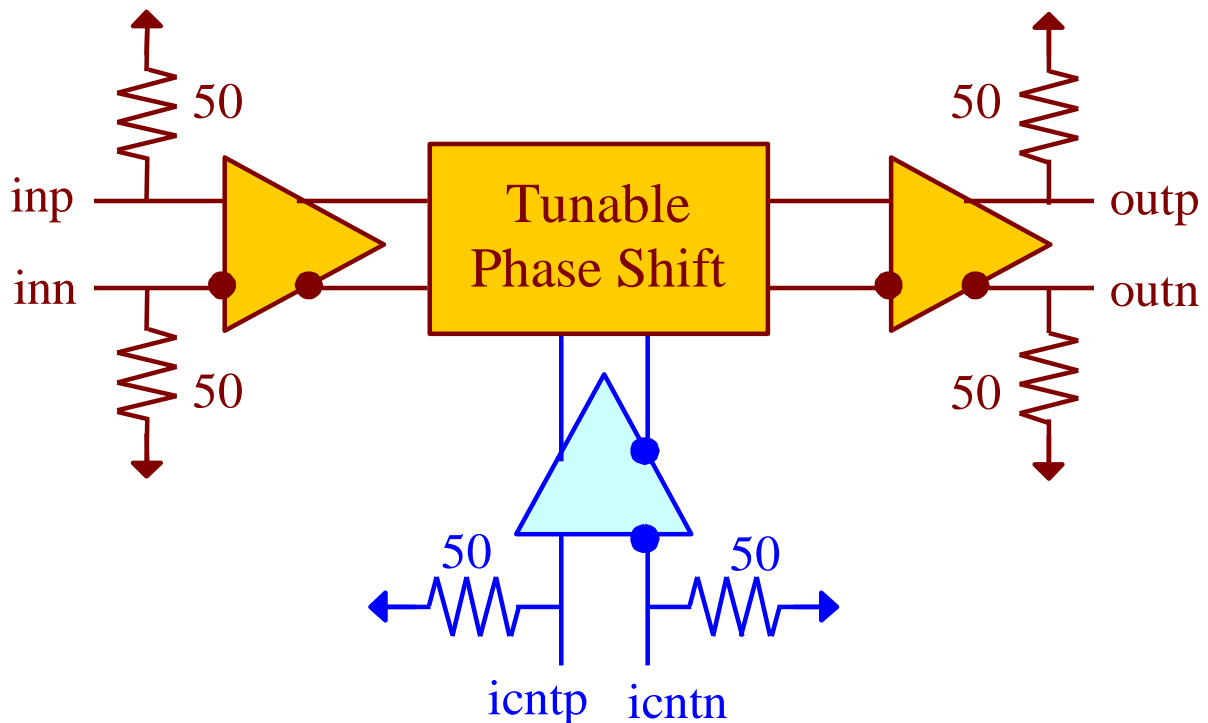


Fig. 1. Functional Block Diagram

ASNT5102-KMC is a clock variable delay line fabricated in SiGe technology. The IC shown in Fig. 1 provides an adjustable delay of its differential output signal **outp/outn** in relation to its input signal **inp/inn**. The delay is controlled through a wide-band differential tuning port **icntp/icntn**.

The part's I/O's support the CML logic interface with on chip 50 Ω termination to **vcc** and may be used differentially, AC/DC coupled, single-ended, or in any combination (see also POWER SUPPLY CONFIGURATION). In the DC-coupling mode, the input signal's common mode voltage should comply with the specifications shown in ELECTRICAL CHARACTERISTICS. In the AC-coupling mode, the input termination provides the required common mode voltage automatically. The differential DC signaling mode is recommended for optimal performance.

Due to an extremely low jitter, the part is suitable for use in high-speed measurement / test equipment.

Delay Control Port

The delay is controlled through a wide-band differential tuning port **icntp/icntn**. The delay control diagram is shown in Fig. 2.

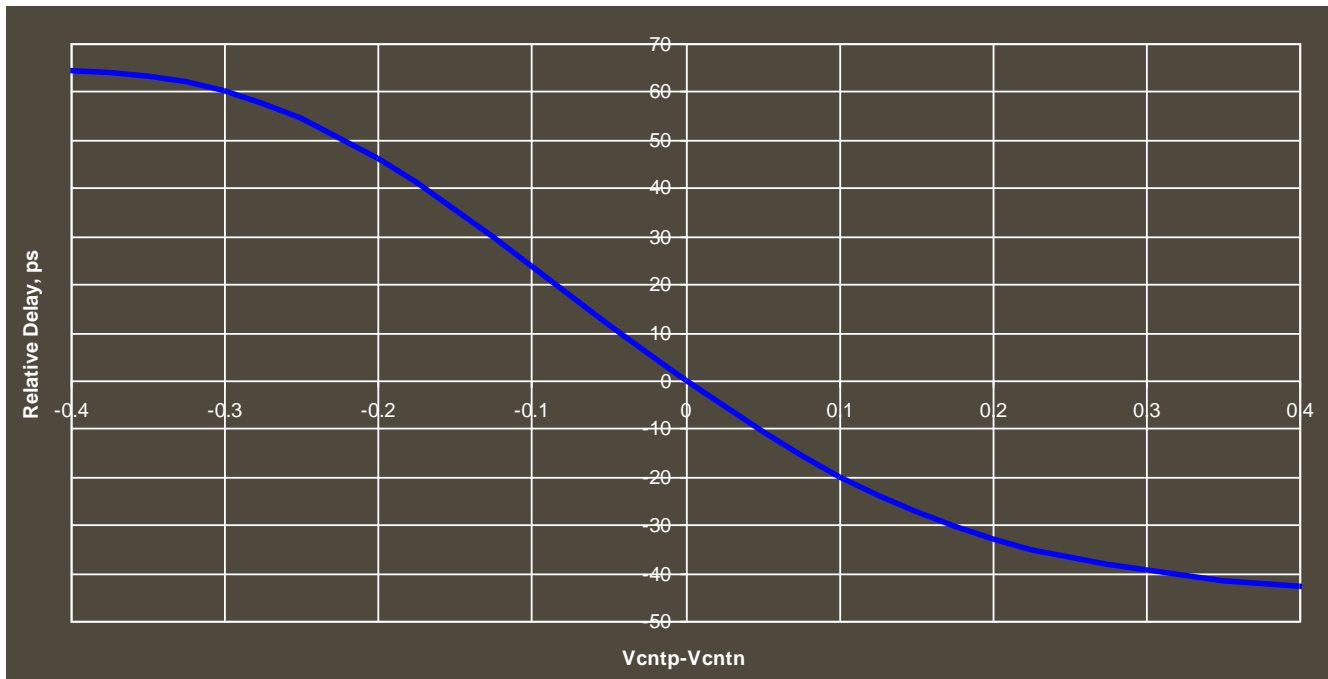


Fig. 2. Delay Control Diagram



POWER SUPPLY CONFIGURATION

The ASNT5102-KMC can operate with either a negative supply ($v_{cc} = 0.0V = \text{ground}$ and $v_{ee} = -3.3V$), or a positive supply ($v_{cc} = +3.3V$ and $v_{ee} = 0.0V = \text{ground}$). In case of a positive supply, all I/Os need AC termination when connected to any devices with 50Ω termination to ground. Different PCB layouts will be needed for each different power supply combination.

All the characteristics detailed below assume $v_{cc} = 0.0V$ and $v_{ee} = -3.3V$.

ABSOLUTE MAXIMUM RATINGS

Caution: Exceeding the absolute maximum ratings shown in Table 1 may cause damage to this product and/or lead to reduced reliability. Functional performance is specified over the recommended operating conditions for power supply and temperature only. AC and DC device characteristics at or beyond the absolute maximum ratings are not assumed or implied. All voltage limits are referenced to ground.

Table 1. Absolute Maximum Ratings

Parameter	Min	Max	Units
Supply Voltage (v_{ee})		-3.6	V
Power Consumption		0.96	W
RF Input Voltage Swing (SE)		1.0	V
Case Temperature		+90	$^{\circ}C$
Storage Temperature	-40	+100	$^{\circ}C$
Operational Humidity	10	98	%
Storage Humidity	10	98	%

TERMINAL FUNCTIONS

TERMINAL			DESCRIPTION
Name	No.	Type	
High-Speed I/Os			
inp	21	CML input	Differential high-speed signal inputs with internal SE 50Ω termination to v_{cc}
inn	23		
icntp	3	CML input	Differential low-speed control inputs with internal SE 50Ω termination to v_{cc}
icntn	5		
outp	11	CML output	Differential high-speed signal outputs with internal SE 50Ω termination to v_{cc} . Require external SE 50Ω termination to v_{cc}
outn	9		
Supply And Termination Voltages			
Name	Description		Pin Number
vcc	Positive power supply (+3.3V or 0)		2, 4, 6, 8, 10, 12, 14, 15, 16, 17, 18, 20, 22, 24
vee	Negative power supply (0V or -3.3V)		1, 7, 13, 19



ELECTRICAL CHARACTERISTICS

PARAMETER	MIN	TYP	MAX	UNIT	COMMENTS
General Parameters					
vee	-3.1	-3.3	-3.5	V	±6%
vcc		0.0		V	External ground
I _{vee}		265		mA	
Power consumption		875		mW	
Junction temperature	-25	50	125	°C	
HS Input Signal (inp/inn)					
Frequency	DC		32	GHz	
Swing	0.05		1.0	V	Differential or SE, p-p
CM Voltage Level	vcc-0.8		vcc	V	Must match for both inputs
HS Output Signal (outp/outn)					
Frequency	DC		32	GHz	
Logic "1" level		vcc		V	
Logic "0" level		vcc-0.6		V	With external 50Ω DC termination
Rise/Fall times	11		13	ps	20%-80%
Output Jitter			1	ps	Peak-to-peak
Duty cycle	45	50	55	%	For clock signal
Output-to-Input Delay					
Adjustment range		105		ps	For the full range of icntp/icntn control signals
Absolute delay stability	-10		10	ps	0-125°C
Phase Shift Control port (icntp/icntn)					
Bandwidth	DC		2.0	GHz	
SE voltage level	vcc-400		vcc	mV	Half control range when the opposite pin is at vcc
SE voltage level	vcc-800		vcc	mV	Full control range when the opposite pin is at vcc-0.4V
Differential swing	0		800	mV	Peak-peak, full control range
CM Level		vcc-(Diff. swing)/4		V	In differential mode

PACKAGE INFORMATION

The chip die is housed in a custom 24-pin CQFP package shown in Fig. 3. Even though the package provides a center heat slug located on the back side of the package to be used for heat dissipation, ADSANTEC does **NOT** recommend for this section to be soldered to the board. If the customer wishes to solder it, it should be connected to the vcc plain, which is ground for the negative supply or power for the positive supply.

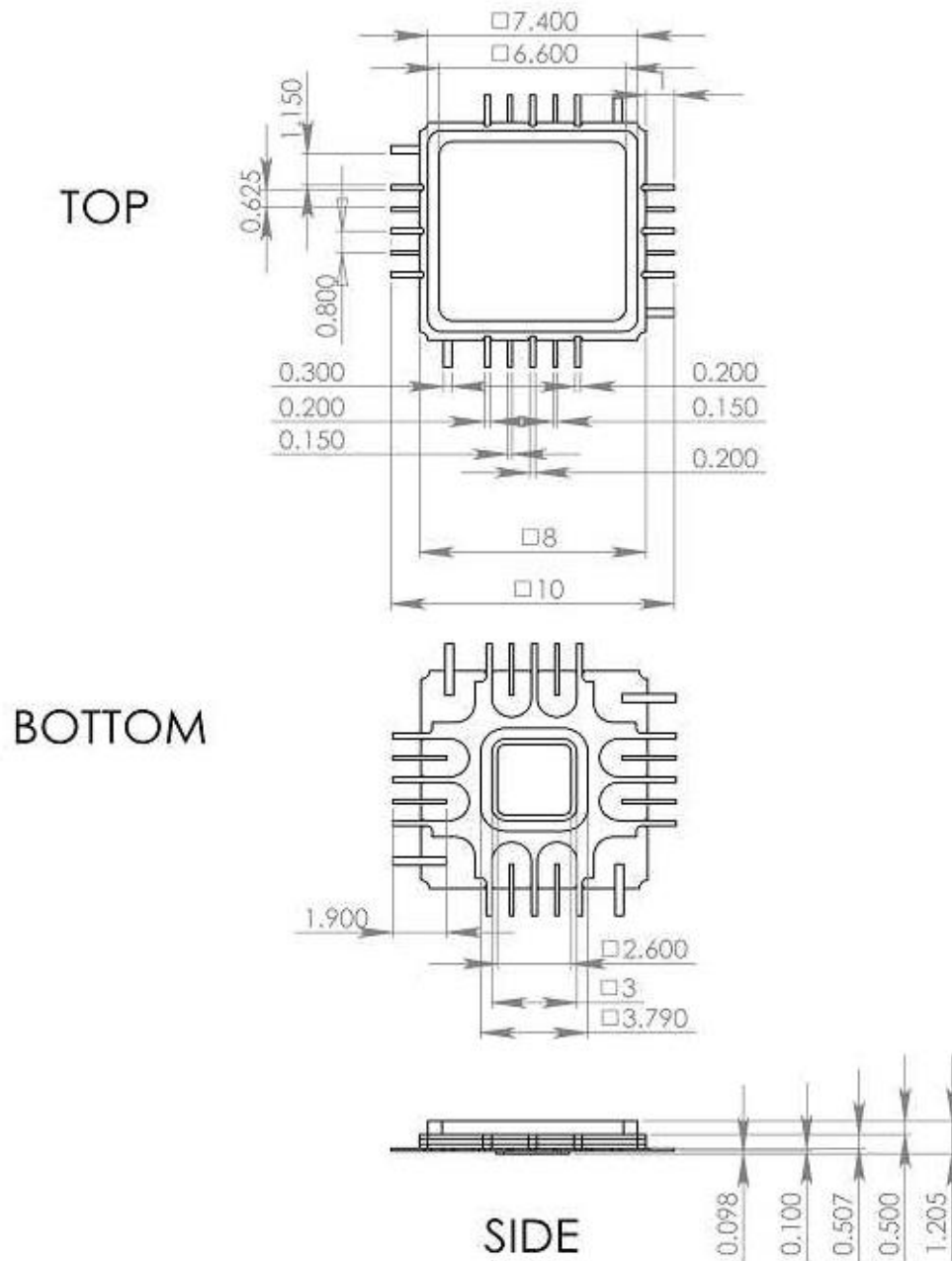


Fig. 3. CQFP 24-Pin Package Drawing (All Dimensions in mm)

The part's identification label is ASNT5102-KMC. The first 8 characters of the name before the dash identify the bare die including general circuit family, fabrication technology, specific circuit type, and part version while the 3 characters after the dash represent the package's manufacturer, type, and pin out count.

This device complies with the Restriction of Hazardous Substances (RoHS) per EU 2002/95/EC for all six substances.



REVISION HISTORY

Revision	Date	Changes
2.5.1	12-2013	Corrected comment in Electrical Characteristics
2.4.1	06-2013	Corrected control diagram Corrected electrical characteristics table
2.3.1	03-2013	Corrected terminal functions Corrected shift range values Added delay control diagram
2.2.1	02-2013	Corrected title Corrected description Added delay control diagram Corrected terminal functions Corrected electrical characteristics Added package mechanical drawing
2.1.1	09-2012	Corrected shift range values Corrected format
2.0	02-2012	Revised functional block diagram section Revised description section Added power supply configuration text Revised terminal functions section Revised electrical characteristics section Added absolute maximum ratings table Added package information section Added revision history table
1.0	03-2009	First release