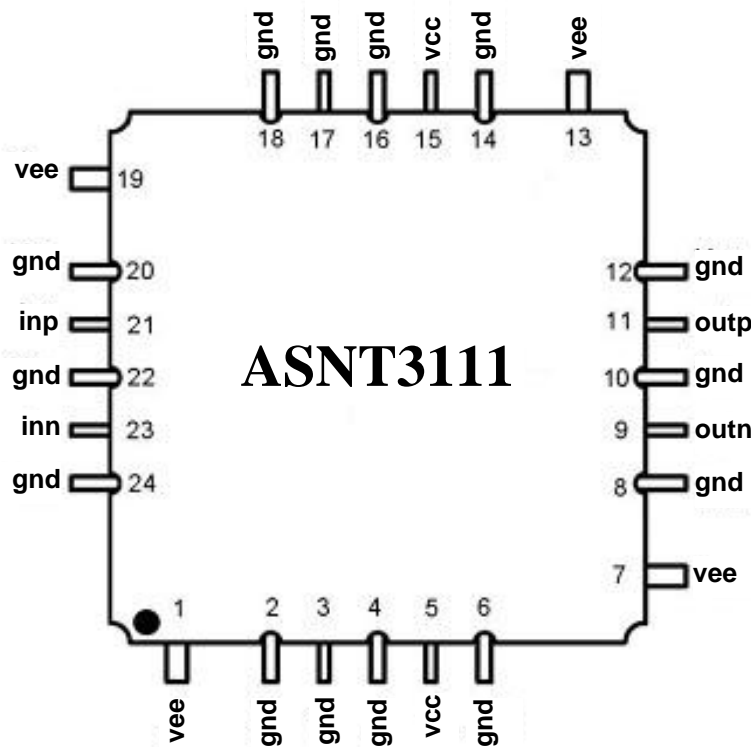




ASNT3111-KMC DC-40Gbps Single-Channel CML-to-PCML Level Shifter

- High-speed broadband digital signal level up-shifter
- Fully differential input CML interface with on-chip single-ended 50 Ω termination to ground
- Fully differential output PCML interface with on-chip single-ended 50 Ω termination to the positive supply rail
- Exhibits low jitter and limited temperature variation over industrial temperature range
- Fabricated in SiGe for high performance, yield, and reliability
- Power consumption: 260mW
- Custom CQFP 24-pin package



DESCRIPTION

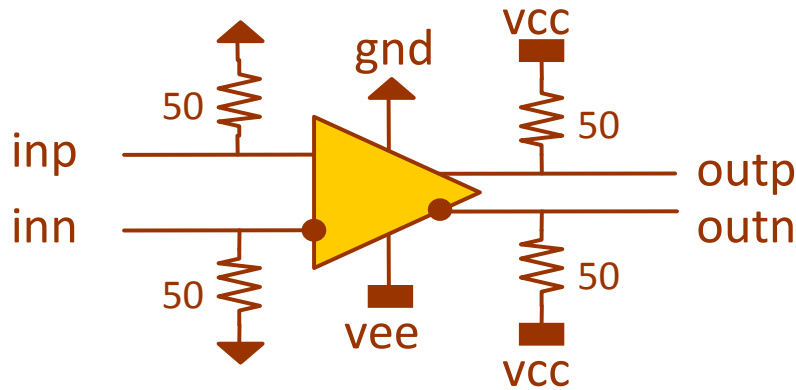


Fig. 1. Functional Block Diagram

The ASNT3111-KMC SiGe IC shown in Fig. 1 provides a voltage shift for high-speed data and clock CML signals from the levels associated with negative power supplies to the levels associated with positive power supplies.

The part's inputs support the CML logic interface with on chip 50 Ω termination to gnd and may be used differentially, AC/DC coupled, single-ended, or in any combination. In the first mode, the input signal's common mode voltage should comply with the specifications shown in ELECTRICAL CHARACTERISTICS. In the second mode, the input termination provides the required common mode voltage automatically. The part's outputs support the PCML logic interface with on chip 50 Ω termination to vcc and may be used differentially, AC/DC coupled, single-ended, or in any combination. The differential DC signaling is recommended for optimal performance.

Fig. 2 and Fig. 3 below demonstrate the chip's simulated performance.

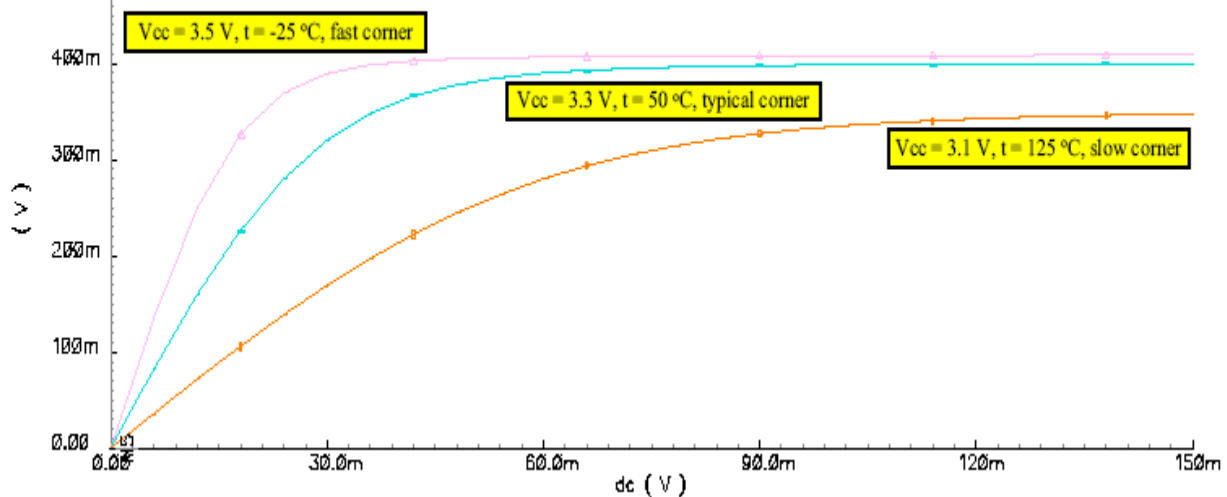


Fig. 2. Simulated DC Transfer Function



Level Converter 40 GBs (extracted)
(Vcc = 3.1 V, t = 125 °C, slow corner;
Vcc = 3.5 V, t = - 25 °C, fast corner)

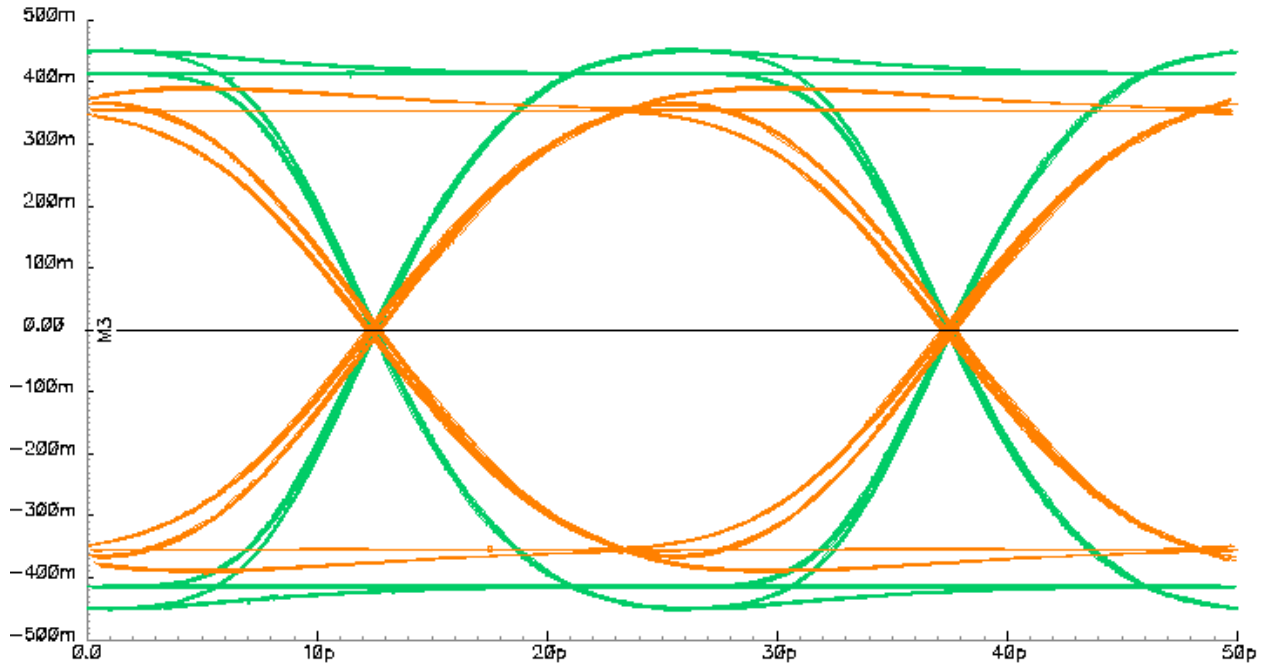


Fig. 3. 40Gbps Simulated Output Eye Diagrams at Different Conditions

POWER SUPPLY CONFIGURATION

The chip operates from two independent power supplies related to gnd: negative $v_{ee} = -3.3V$ and positive $v_{cc} = +3.3V$.

ABSOLUTE MAXIMUM RATINGS

Caution: Exceeding the absolute maximum ratings shown in Table 1 may cause damage to this product and/or lead to reduced reliability. Functional performance is specified over the recommended operating conditions for power supply and temperature only. AC and DC device characteristics at or beyond the absolute maximum ratings are not assumed or implied. All min and max voltage limits are referenced to ground.

Table 1. Absolute Maximum Ratings

Parameter	Min	Max	Units
Negative Supply Voltage (v_{ee})		-3.6	V
Positive Supply Voltage (v_{cc})		+3.6	V
Power Consumption		0.29	W
RF Input Voltage Swing (SE)		1.0	V
Storage Temperature	-40	+100	°C
Operational Humidity	10	98	%
Storage Humidity	10	98	%



TERMINAL FUNCTIONS

TERMINAL			DESCRIPTION
Name	No.	Type	
inp	21	CML input	Differential inputs with internal SE 50Ohm termination to gnd
inn	23		
outp	11	PCML output	Differential outputs with internal SE 50Ohm termination to vcc. Require external SE 50Ohm termination to vcc
outn	9		
Supply and Termination Voltages			
Name	Description		Pin Number
vcc	Positive power supply (+3.3V)		5, 15
gnd	External ground (0V)		2, 3, 4, 6, 8, 10, 12, 14, 16, 17, 18, 20, 22, 24
vee	Negative power supply (-3.3V)		1, 7, 13, 19

ELECTRICAL CHARACTERISTICS

PARAMETER	MIN	TYP	MAX	UNIT	COMMENTS
General Parameters					
vee	-3.1	-3.3	-3.5	V	±6%
gnd		0.0		V	External ground
vcc	3.1	3.3	3.5	V	±6%
I _{gnd}		42		mA	
I _{vcc}		18		mA	
Power consumption		260		mW	
Junction temperature	-25	50	125	°C	
HS Input Data (inp/inn)					
Data rate	DC		40	Gbps	
Swing	0.05		1.0	V	Differential or SE, p-p
CM Voltage Level	vcc-0.8		vcc	V	Must match for both inputs
HS Output Data (outp/outn)					
Data rate	DC		40	Gbps	
Logic "1" level		vcc		V	
Logic "0" level		vcc-0.4		V	With external 50Ohm DC termination
Rise/Fall times		11		ps	20%-80%
Additive Jitter			<1	ps	Peak-to-peak



PACKAGE INFORMATION

The chip die is housed in a custom 24-pin CQFP package shown in Fig. 4. Even though the package provides a center heat slug located on the back side of the package to be used for heat dissipation, ADSANTEC does **NOT** recommend for this section to be soldered to the board. If the customer wishes to solder it, it should be connected to the VCC plain that is ground for the negative supply or power for the positive supply.

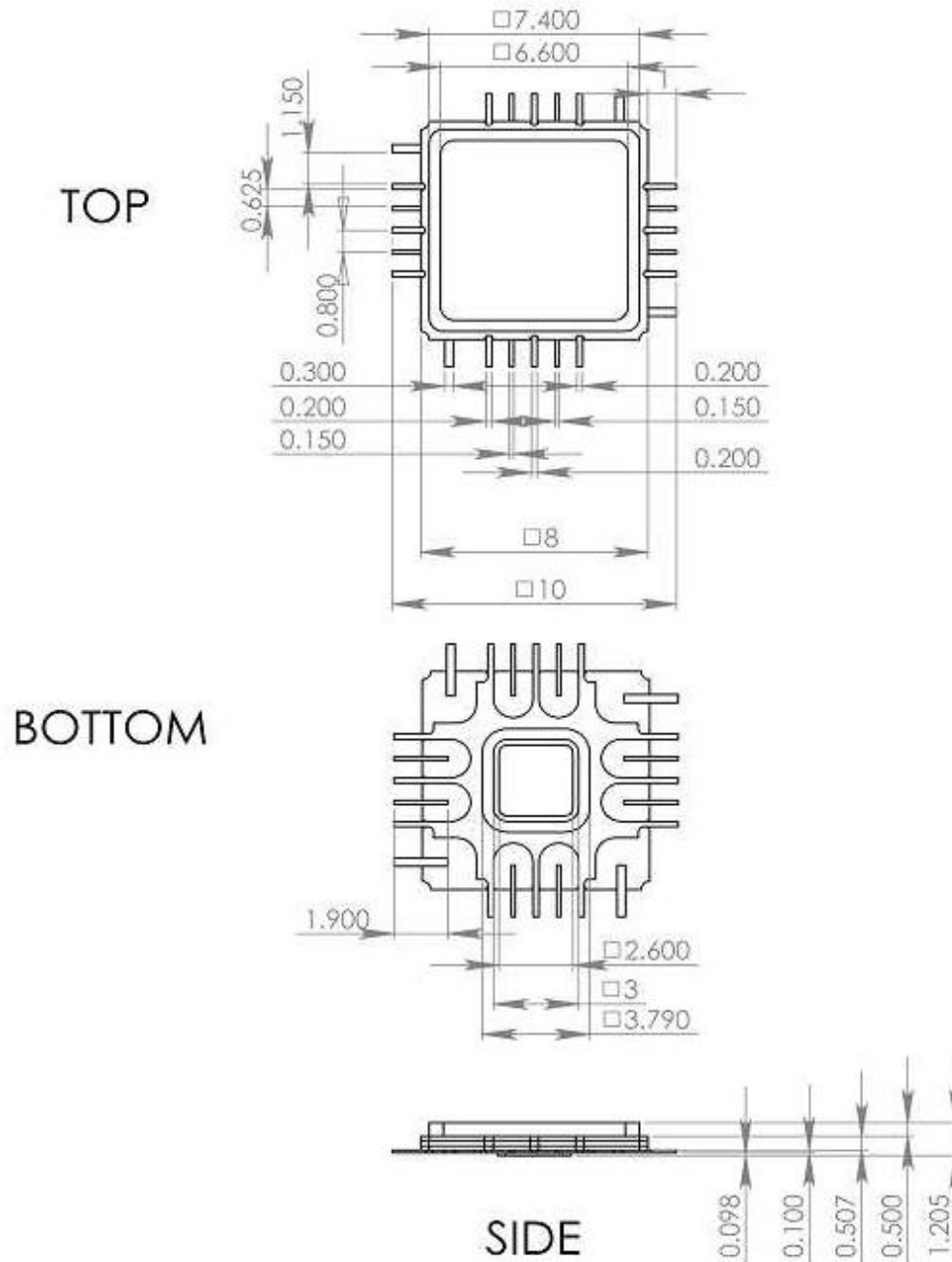


Fig. 4. CQFP 24-Pin Package Drawing (All Dimensions in mm)



The part's identification label is ASNT3111-KMC. The first 8 characters of the name before the dash identify the bare die including general circuit family, fabrication technology, specific circuit type, and part version while the 3 characters after the dash represent the package's manufacturer, type, and pin out count.

The IC complies with the Restriction of Hazardous Substances (RoHS) per EU 2002/95/EC for all 6 substances.

REVISION HISTORY

Revision	Date	Changes
2.0.1	03-2013	Corrected title Updated description Added pin out diagram Added power supply configuration section Added absolute maximum ratings section Revised electrical characteristics Revised package information section Added package mechanical drawing
1.1.1	01-2013	Revised electrical characteristics section Revised package information section
1.0	11-2011	First release