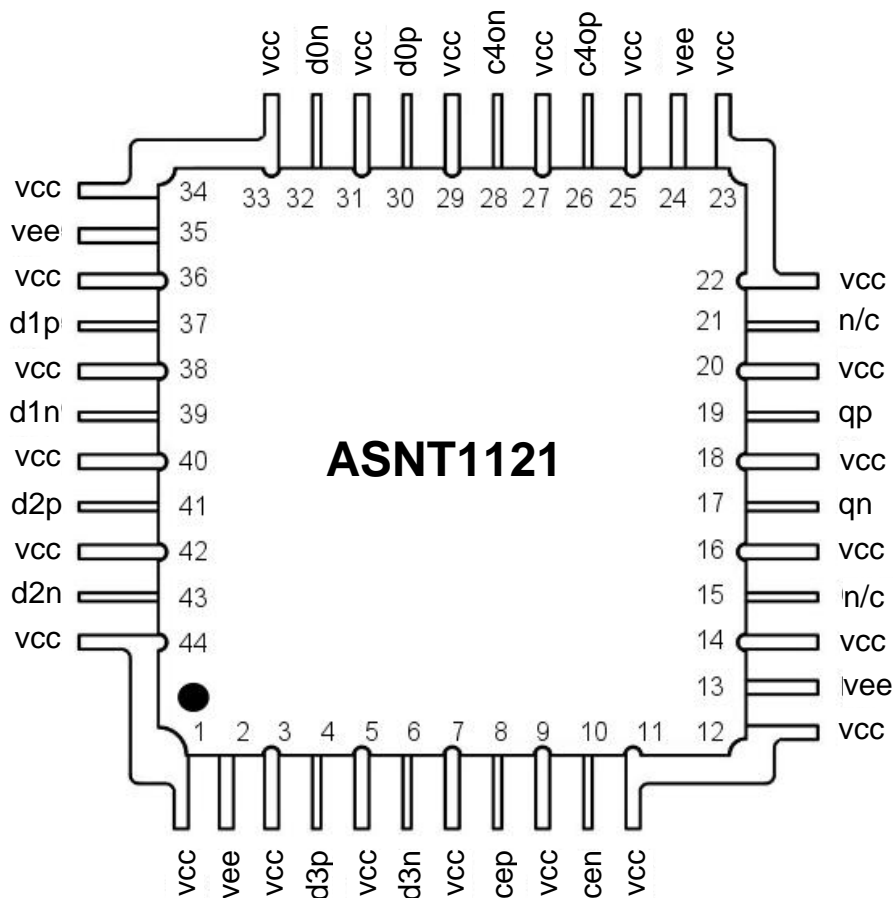




ASNT1121-KMM DC-50Gbps Broadband Digital 4:1 Multiplexer

- High speed broadband 4:1 Multiplexer (MUX)
- Exhibits low jitter and limited temperature variation over industrial temperature range
- Differential CML I/O data and clock buffers
- Quarter-rate clock output
- Single +3.3V or -3.3V power supply
- Power consumption: 960mW
- Fabricated in SiGe for high performance, yield, and reliability
- Custom CQFP 44-pin package





DESCRIPTION

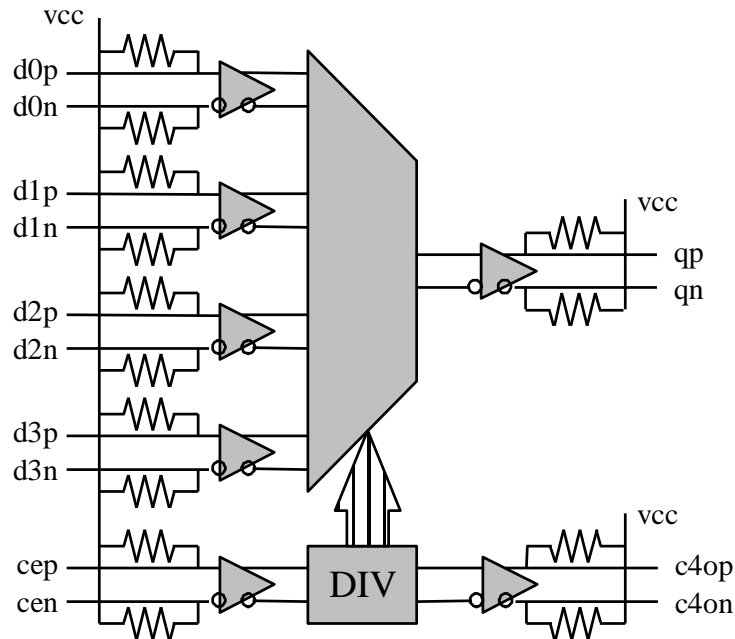


Fig. 1. Functional Block Diagram

The ASNT1121-KMM SiGe IC is a low power and high-speed digital 4-to-1 serializer-multiplexer (MUX) that functions seamlessly over data rates (f_{bit}) ranging from DC to its maximum frequency.

The main function of the part shown in Fig. 1 is to multiplex 4 parallel differential CML data signals $d0p/d0n$, $d1p/d1n$, $d2p/d2n$, $d3p/d3n$ running at a bit rate of $f_{bit}/4$ into a high speed serial bit stream qp/qn running at a bit rate of f_{bit} . Differential or single-ended full-rate clock cep/cen must be provided by an external source for the part to function properly.

The serialized data words qp/qn and the clock divided-by-4 signal $c4op/c4on$ are transmitted through CML output interfaces. The clock and data outputs are phase-matched to each other resulting in a very little relative skew over the operating temperature range of the device.

The part's I/O's support the CML logic interface with on chip 50Ω termination to vcc and may be used differentially, AC/DC coupled, single-ended, or in any combination (see also POWER SUPPLY CONFIGURATION). In the DC-coupling mode, the input signal's common mode voltage should comply with the specifications shown in ELECTRICAL CHARACTERISTICS. In the AC-coupling mode, the input termination provides the required common mode voltage automatically. The differential DC signaling mode is recommended for optimal performance.

POWER SUPPLY CONFIGURATION

The part can operate with either negative supply ($vcc = 0.0V = \text{ground}$ and $vee = -3.3V$), or positive supply ($vcc = +3.3V$ and $vee = 0.0V = \text{ground}$). In case of the positive supply, all I/Os need AC termination when connected to any devices with 50Ω termination to ground. Different PCB layouts will be needed for each different power supply combination.



All the characteristics detailed below assume $V_{CC} = 0.0V$ and $V_{EE} = -3.3V$.

ABSOLUTE MAXIMUM RATINGS

Caution: Exceeding the absolute maximum ratings shown in Table 1 may cause damage to this product and/or lead to reduced reliability. Functional performance is specified over the recommended operating conditions for power supply and temperature only. AC and DC device characteristics at or beyond the absolute maximum ratings are not assumed or implied. All min and max voltage limits are referenced to ground.

Table 1. Absolute Maximum Ratings

Parameter	Min	Max	Units
Supply Voltage (V_{EE})		-3.6	V
Power Consumption		1.1	W
RF Input Voltage Swing (SE)		1.4	V
Case Temperature		+100	$^{\circ}C$
Storage Temperature	-40	+100	$^{\circ}C$
Operational Humidity	10	98	%
Storage Humidity	10	98	%



TERMINAL FUNCTIONS

TERMINAL			DESCRIPTION
Name	No.	Type	
Low-Speed I/Os			
d0p	30	CML input	Differential quarter-rate data inputs with internal SE 50Ohm termination to VCC.
d0n	32		
d1p	37	CML input	Differential quarter-rate data inputs with internal SE 50Ohm termination to VCC.
d1n	39		
d2p	41	CML input	Differential quarter-rate data inputs with internal SE 50Ohm termination to VCC.
d2n	43		
d3p	4	CML input	Differential quarter-rate data inputs with internal SE 50Ohm termination to VCC.
d3n	6		
c4op	26	CML output	Differential quarter-rate clock outputs with internal SE 50Ohm termination to VCC. Require external SE 50Ohm termination to VCC.
c4on	28		
High-Speed I/Os			
cep	8	CML input	Differential half-rate clock input signals with internal 50Ohm termination to VCC.
cen	10		
qp	19	CML output	Differential full-rate data outputs with internal SE 50Ohm termination to VCC. Require external SE 50Ohm termination to VCC.
qn	17		
Supply and Termination Voltages			
Name	Description	Pin Number	
vcc	Positive power supply. (+3.3V or 0)	1, 3, 5, 7, 9, 11, 12, 14, 16, 18, 20, 22, 23, 25, 27, 29, 31, 33, 34, 36, 38, 40, 42, 44	
vee	Negative power supply. (0V or -3.3V)	2, 13, 24, 35	
n/c	Not connected pins	15, 21	



ELECTRICAL CHARACTERISTICS

PARAMETER	MIN	TYP	MAX	UNIT	COMMENTS
General Parameters					
v _{ee}	-3.1	-3.3	-3.5	V	±6%
v _{cc}		0.0		V	External ground
I _{vee}		290		mA	
Power consumption		960		mW	
Junction temperature	-40	25	125	°C	
LS Input Data (d0p/d0n, d1p/d1n, d2p/d2n, d3p/d3n)					
Data Rate	DC	10	12.5	Gbps	
Swing	0.2		0.8	V	Differential or SE, p-p
CM Voltage Level	v _{cc} -0.8		v _{cc}	V	Must match for both inputs
HS Input Clock (cep/cen)					
Frequency	DC	40	50	GHz	
Swing	0.2		0.8	V	Differential or SE, p-p
CM Voltage Level	v _{cc} -0.8		v _{cc}	V	Must match for both inputs
Duty Cycle	40	50	60	%	
HS Output Data (qp/qn)					
Data Rate	DC	40	50	Gb/s	
Logic "1" level		v _{cc}		V	
Logic "0" level		v _{cc} -0.6		V	With external 50Ω DC termination
Output Jitter		3		ps	Peak-to-peak at 40Gb/s
LS Output Clock (c4op/c4on)					
Frequency	DC	10	12.5	GHz	
Logic "1" level		v _{cc}		V	
Logic "0" level		v _{cc} -0.6		V	With external 50Ω DC termination
Duty Cycle		50		%	
Output Jitter		2		ps	Peak-to-peak at 10GHz



PACKAGE INFORMATION

The chip die is housed in a custom 44-pin CQFP package shown in Fig. 2. Even though the package provides a center heat slug located on the back side of the package to be used for heat dissipation, ADSANTEC does **NOT** recommend for this section to be soldered to the board. If the customer wishes to solder it, it should be connected to the VCC plain that is ground for the negative supply or power for the positive supply.

The part's identification label is ASNT1121-KMM. The first 8 characters of the name before the dash identify the bare die including general circuit family, fabrication technology, specific circuit type, and part version while the 3 characters after the dash represent the package's manufacturer, type, and pin out count.

The IC complies with the Restriction of Hazardous Substances (RoHS) per EU 2002/95/EC for all 6 substances.

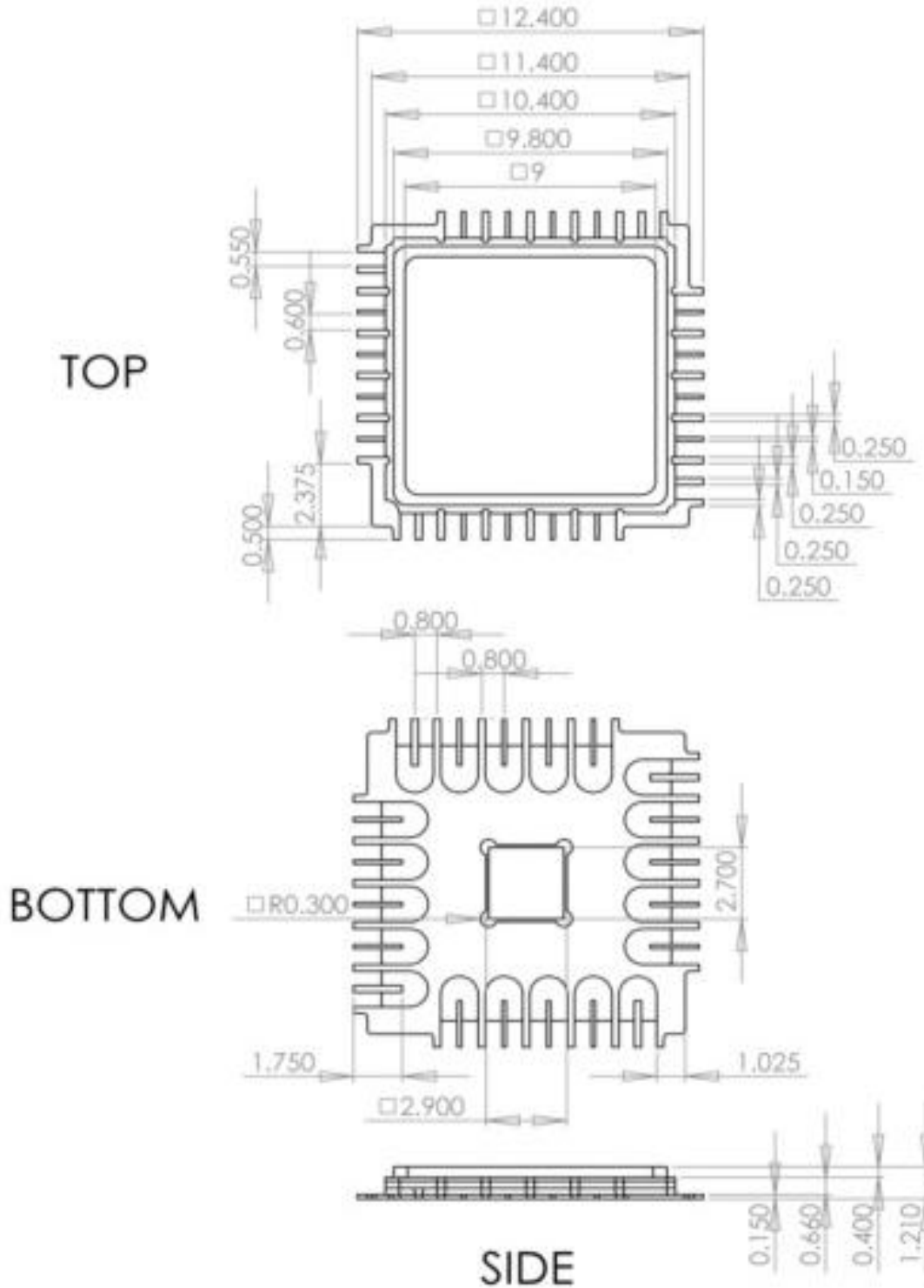


Fig. 2. CQFP 44-Pin Package Drawing (All Dimensions in mm)



REVISION HISTORY

Revision	Date	Changes
1.5.1	02-2013	Title correction Corrected description Corrected Terminal Functions table Corrected Electrical Characteristics Updated Package Information
1.4.1	01-2013	Corrected block diagram Updated Package Information Updated Description
1.3.1	12-2011	Format Correction
1.3	11-2011	Corrected Terminal Functions table
1.2	05-2011	Added Absolute Maximums Rating table Added packaging information
1.1	01-2011	Added RoHS compliancy Added revision history table
1.0	12-2010	First release